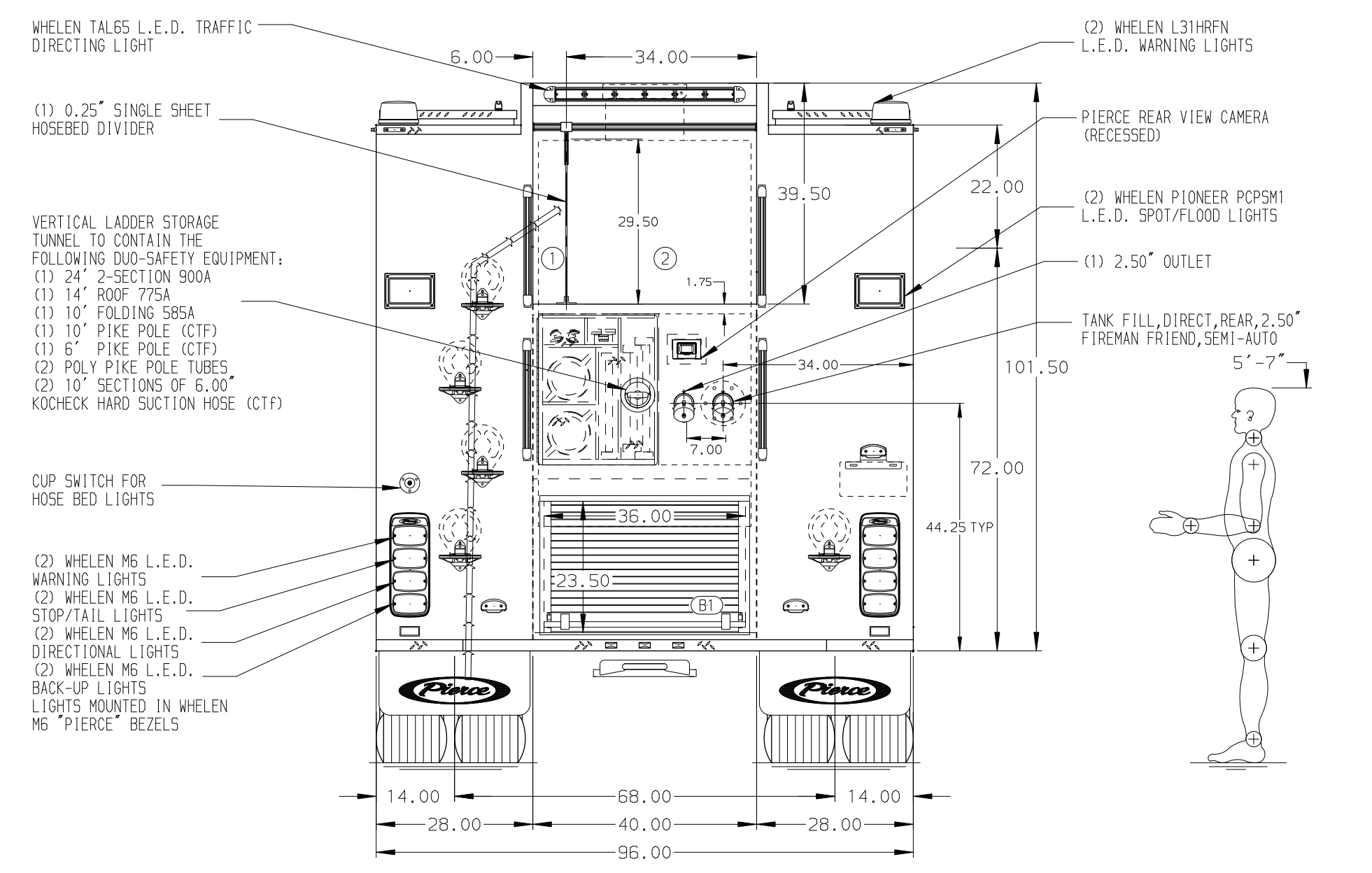
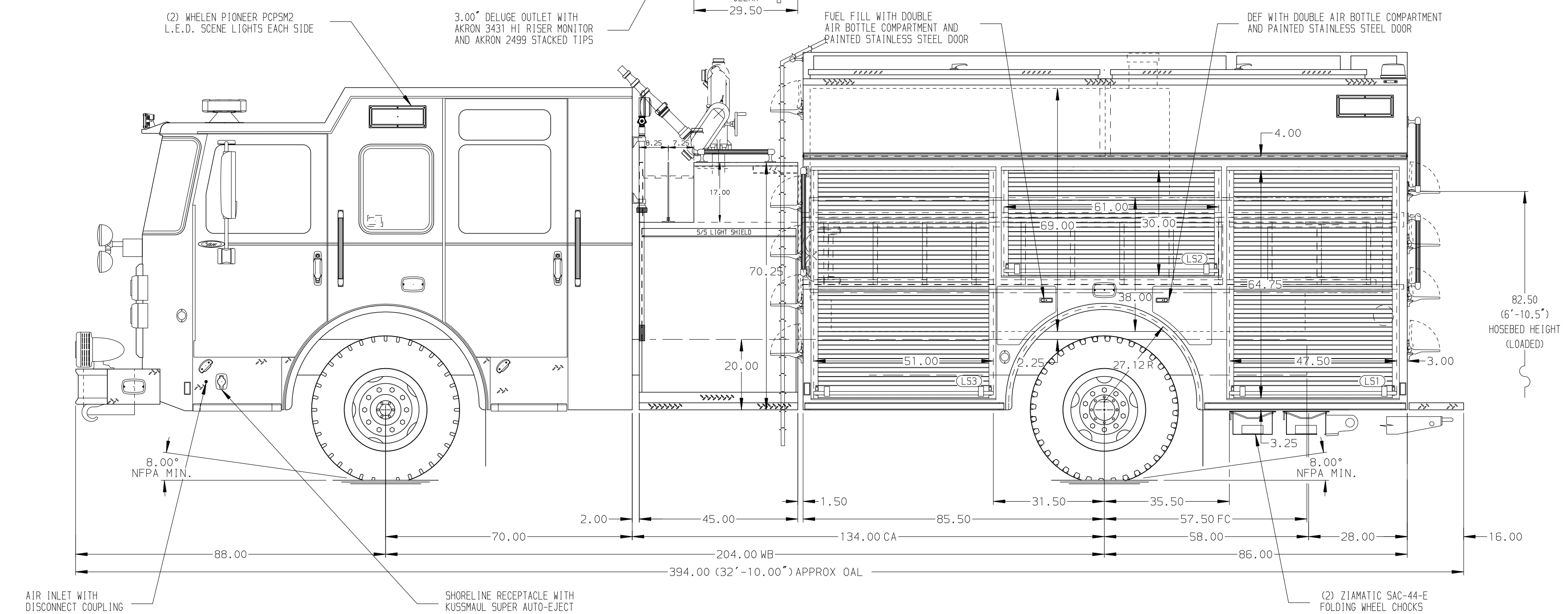


- HOSEBED CAPACITIES
- ① - 200' OF 3.00" D.J. POLY HOSE
 - ② - 800' OF 5.00" D.J. POLY HOSE



ALUMINUM BODY

NOTE
 DIMENSIONS SHOWN ARE APPROXIMATE AND ARE SUBJECT TO MINOR DEVIATIONS AS MAY OCCUR OR BE NECESSARY IN CONSTRUCTION. MINOR DETAILS NOT SHOWN.

06MAR23	RHU	JAP	CHASSIS DATA
24FEB23	RHU	JAP	MAKE
28NOV22	RHU	JAP	PIERCE
02SEP22	RHU	JAP	MODEL
24JUN22	JJB	EGO	SABER FR
REV	DATE	BY	CH

	JOB NO.	37915			
	SCALE	DATE			
TITLE	1750-D-1000P, 1000 GAL WATER TANK, 171" FH/FD PUMPER LADDERS THRU TANK, (2) CROSSLAYS, DELUGE, HOSE REEL	DRAWN BY	JJB	20JUN22	
FOR	SULLIVAN COUNTY VOLUNTEER FIRE DEPARTMENT BLOUNTVILLE, TENNESSEE	CHECKED BY	EGO	20JUN22	
DWG NO.	37915AD	SHEET SIZE	D	SHEET NO.	1 OF 1