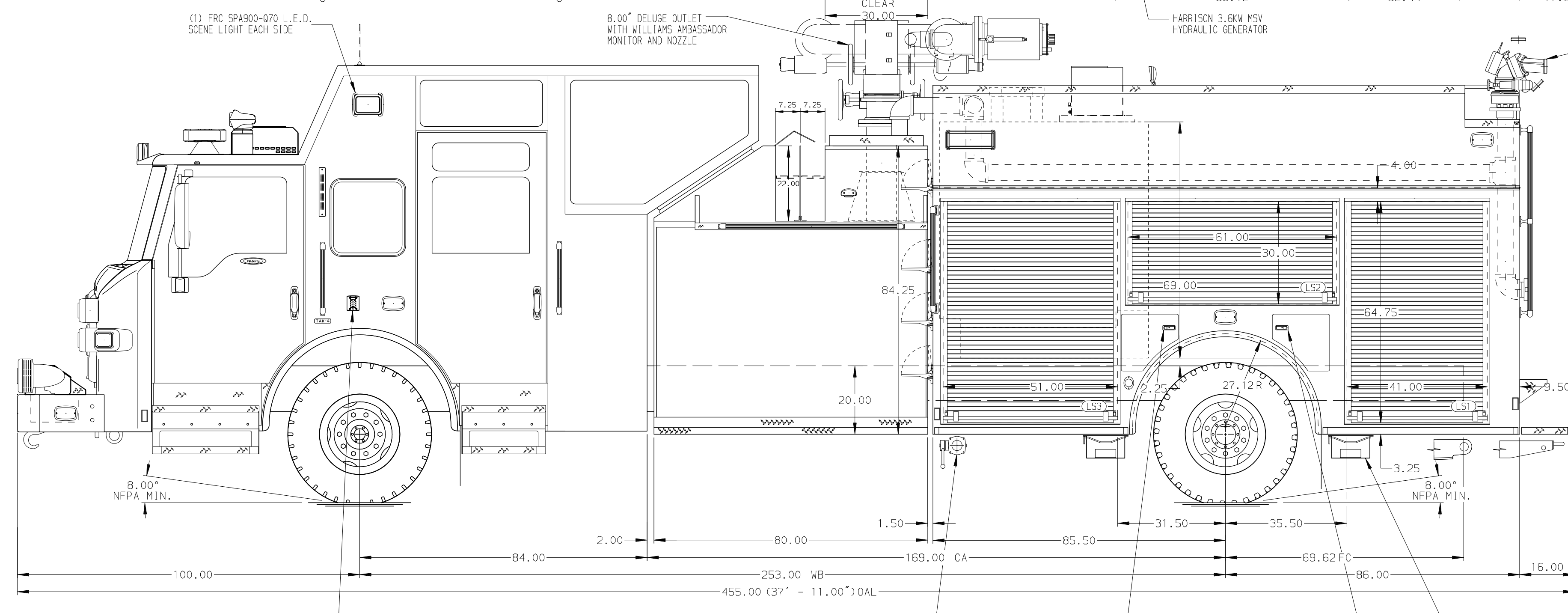
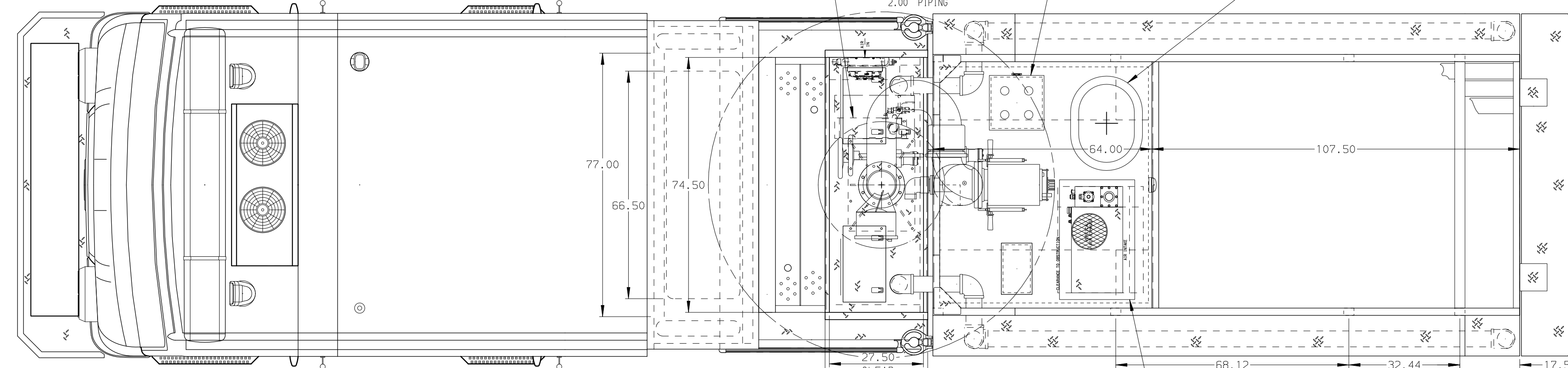
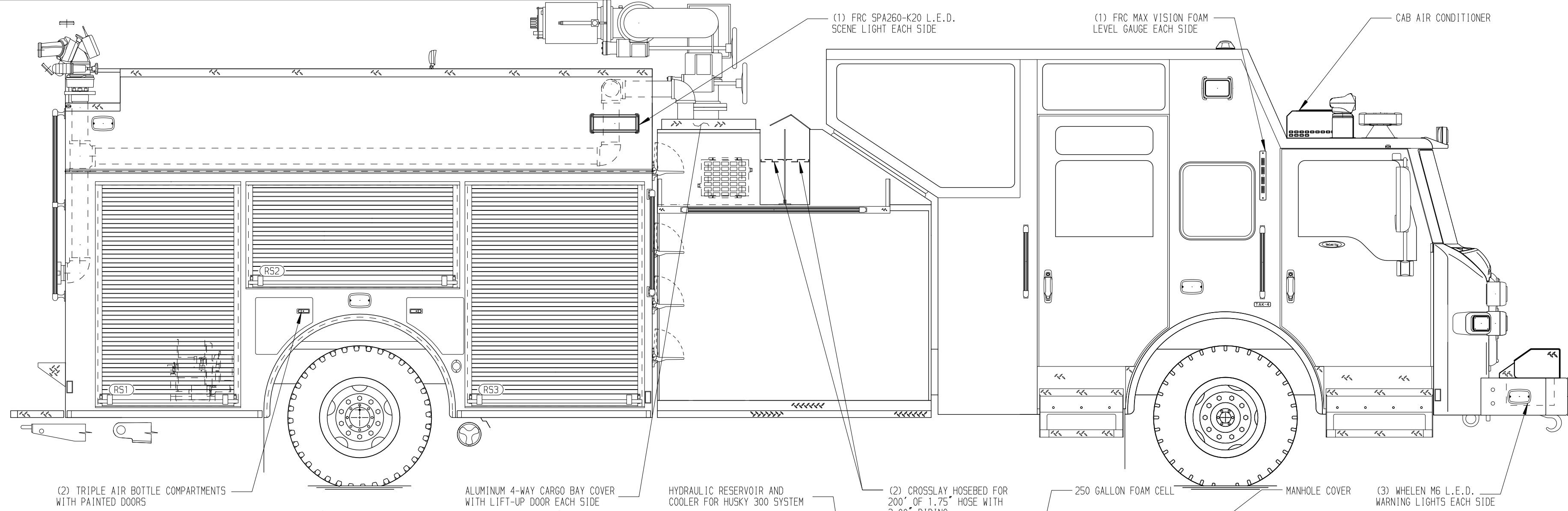


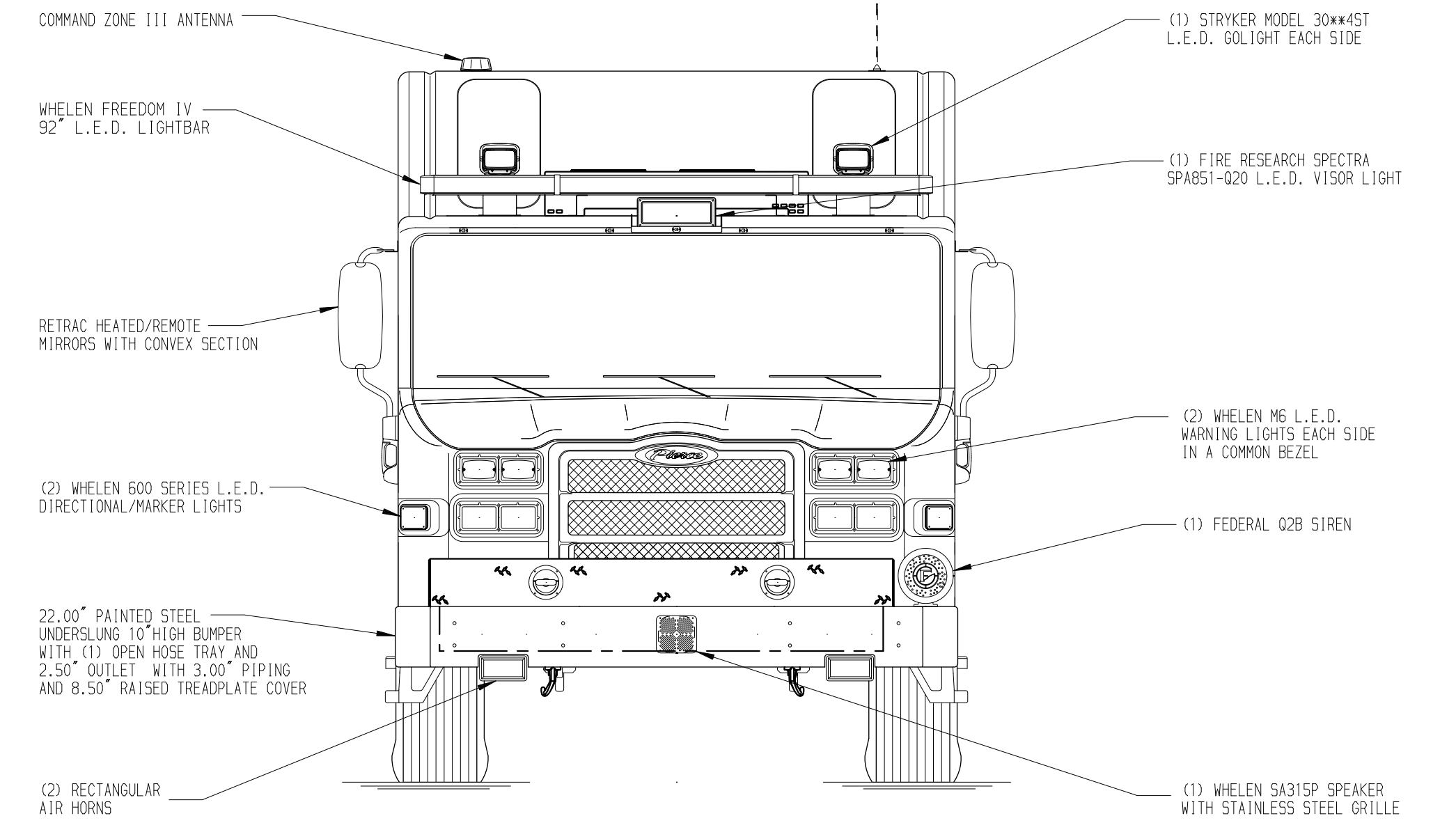
146.00
(12'-2")
APPROX
O.A.H.



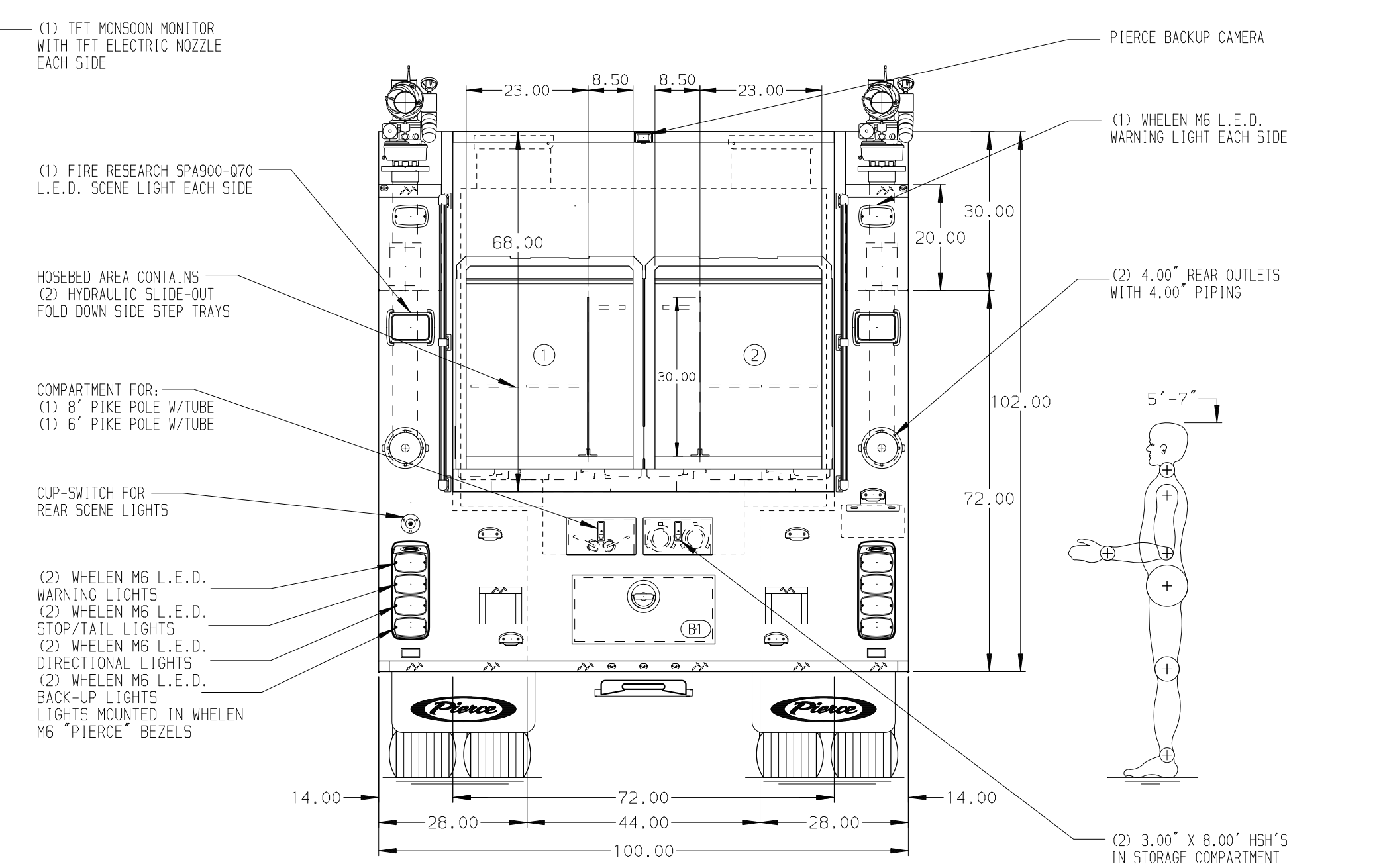
ALUMINUM BODY

MAXIMUM O.A.L. 462.00"

MAXIMUM O.A.H. 150.00"



HOSEBED CAPACITIES
 ① TRAY WILL HOLD 300' OF 3.00" HOSE & 500' OF 7.25" HOSE
 ② TRAY WILL HOLD 300' OF 3.00" HOSE & 500' OF 7.25" HOSE



NOTE
 DIMENSIONS SHOWN ARE APPROXIMATE AND ARE SUBJECT TO MINOR DEVIATIONS AS MAY OCCUR OR BE NECESSARY IN CONSTRUCTION. MINOR DETAILS NOT SHOWN.

- AIR INLET/OUTLET WITH DISCONNECT FITTING LOCATED PER SHOP ORDER
- KUSSMAUL AIR COMPRESSOR LOCATED BEHIND DRIVER'S SEAT
- BATTERY CHARGER LOCATED BEHIND DRIVER SEAT
- DRIP PAN GUARD FOR ROLL-UP DOORS LOCATED PER SHOP ORDER
- ELASTIC PULL STRAP FOR DOORS LOCATED PER SHOP ORDER
- SIX FULL WIDTH/DEPTH ADJUSTABLE SHELVES LOCATED PER SHOP ORDER
- FOUR FLOOR MOUNTED SLIDE-OUT TRAYS LOCATED PER SHOP ORDER
- CIRCUIT BREAKER PANEL LOCATED PER SHOP ORDER
- ONE HANNAY ELECTRIC REWIND CORD REEL WITH 150' OF 10/3 CABLE LOCATED PER SHOP ORDER

CUSTOMER APPROVAL			
APPROVED BY:			
DATE:			
CHASSIS DATA	TITLE	5500-D-1000P, 750G WATER, 250G FOAM, 171" INDUSTRIAL (2)XLAYS, 8" DELUGE, (2) 4" REAR DELUGES, HUSKY 300	
MAKE	FOR	CHEVRON PHILLIPS CHEMICAL COMPANY LP - PORT ARTHUR PORT ARTHUR, TEXAS	
PIERCE	DWG NO.	37838AD	
MODEL	REV		
VELOCITY	DATE		
	BY		
	CH		



JOB NO.	37838
SCALE	1:24
DATE	
DRAWN BY	JJB
CHECKED BY	NPE
SHEET SIZE	D
SHEET NO.	1 OF 1